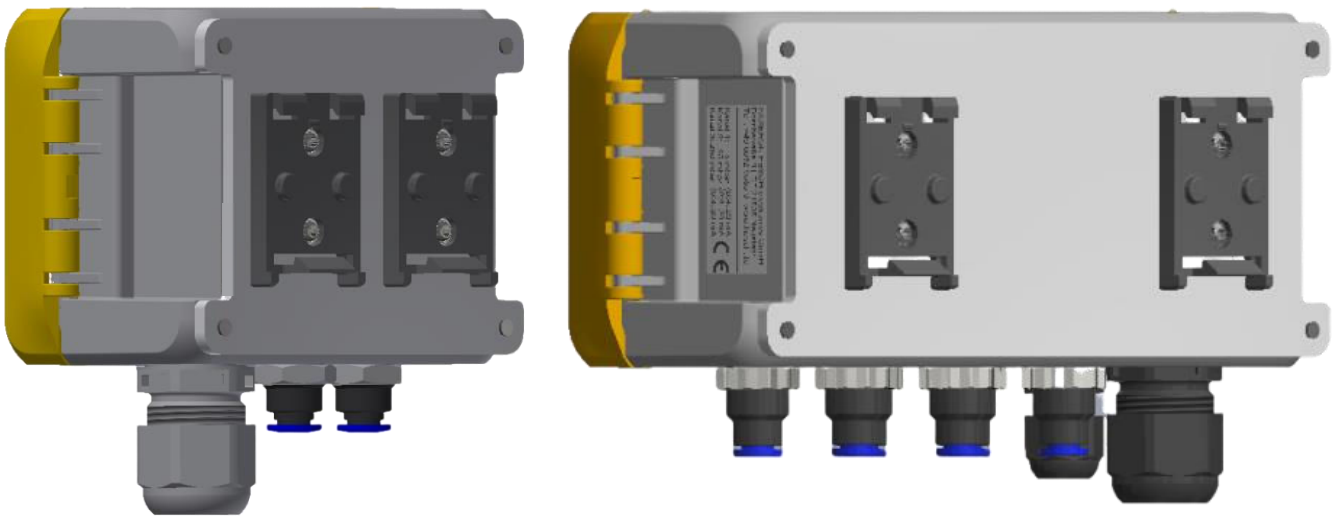


Standard rail adapter for HE 5409/HE 5411/HE 5413



Quick guide

(Translation of original German version)

HESCH

AUTOMATION



Legal notice

AXXERON HESCH electronics GmbH
Boschstraße 8
31535 NEUSTADT
GERMANY
Phone: +49 5032 9535-0
Internet: www.hesch-automation.com
Email: info@hesch.de

District Court Hanover
HRB (Commercial register) 111184
VAT.-Id. No: DE813919106

General Management:
Werner Brandis
Publishes by:
AXXERON HESCH electronics GmbH, documentation department

Copyrights



© Copyright 2025 AXXERON HESCH electronics GmbH. All rights reserved. The content including pictures and the design of this quick guide are subject to copyright protection and other laws for the protection of intellectual property. The quick guide may only be distributed as a complete document and only with reference to the source. The modification of the contents of this quick guide is prohibited. In addition, this content may not be copied, distributed, modified or made available to third parties for commercial purposes.

Document version history

Date / Version	Description/ Author
January 20 th 2025 / 1.0	First version / Bg

1 Description

The standard rail adapter for the differential pressure transmitters HE 5409, HE 5411 and HE 5413 consists of a carrier plate and two standard rail holders (type TSH-35-2). The device is mounted with the standard rail holders onto the standard rail (see *chapter 2 Mounting and dismounting*).

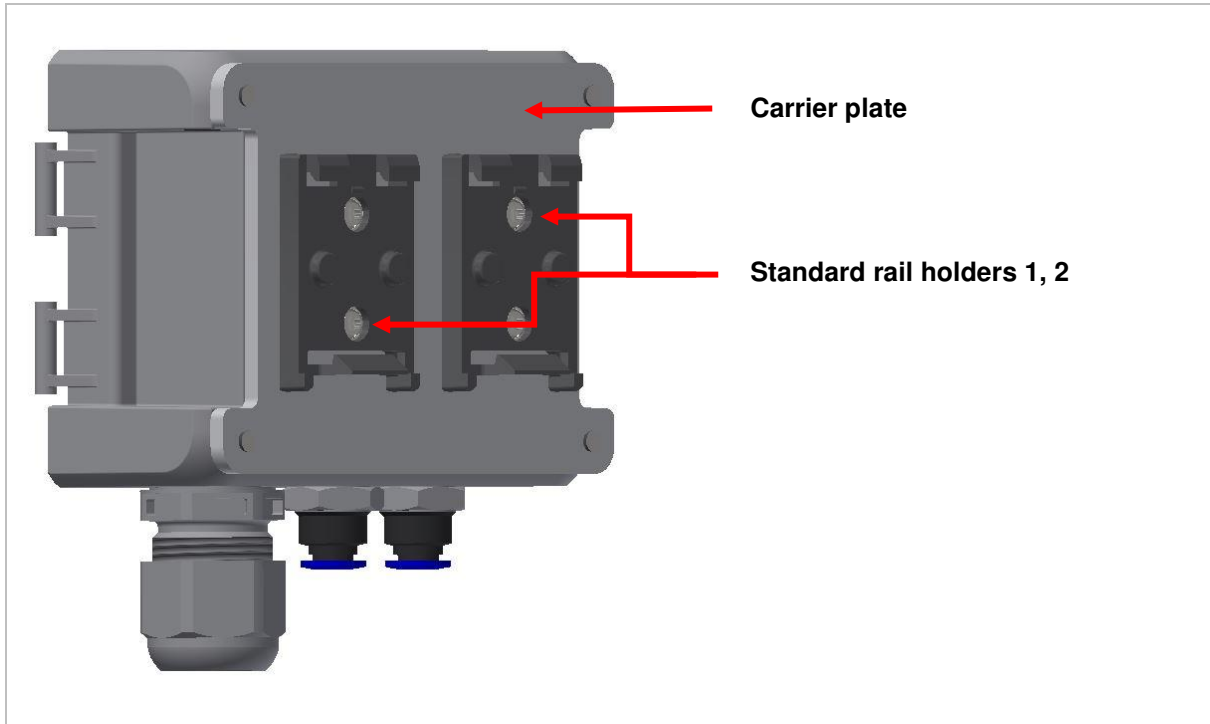


Figure 1 Components of the standard rail adapter, shown exemplary on HE 5411

The carrier plate is mounted via 4 screws right onto the rear side of the device. Then the standard rail holders are mounted with two screws onto the carrier plate. The figure below shows the screw positions.

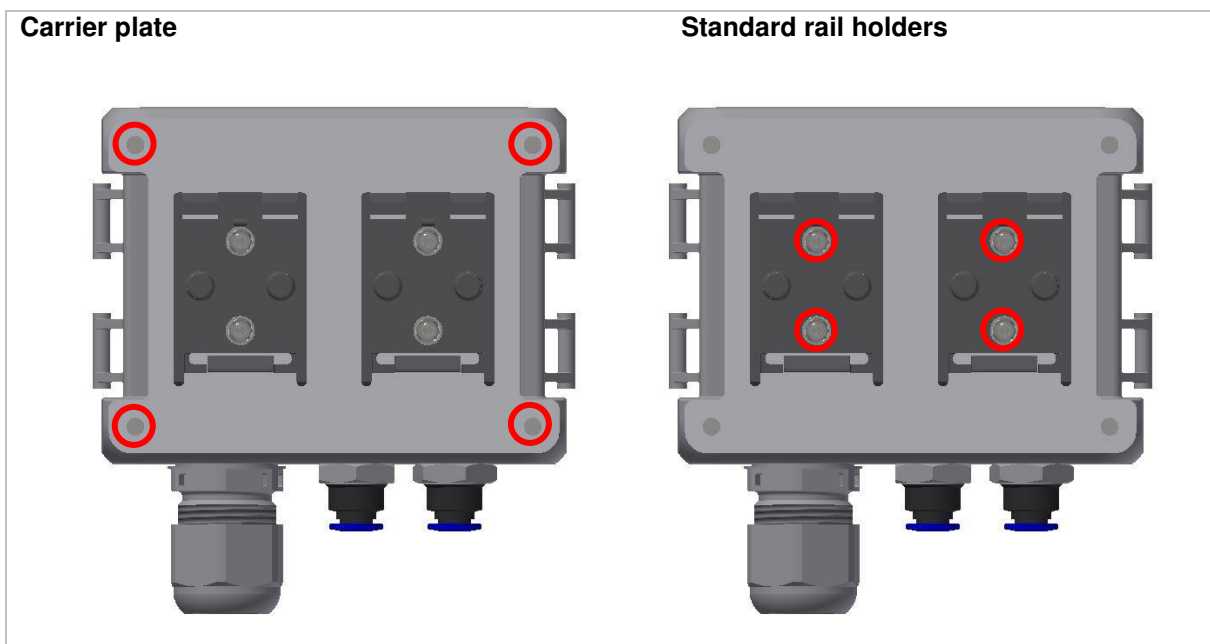


Figure 2 Screw positions, shown exemplary on HE 5411

2 Mounting and dismounting

Figure 3 shows the step-by-step mounting of a differential pressure transmitter onto the standard rail as well as the dismounting.

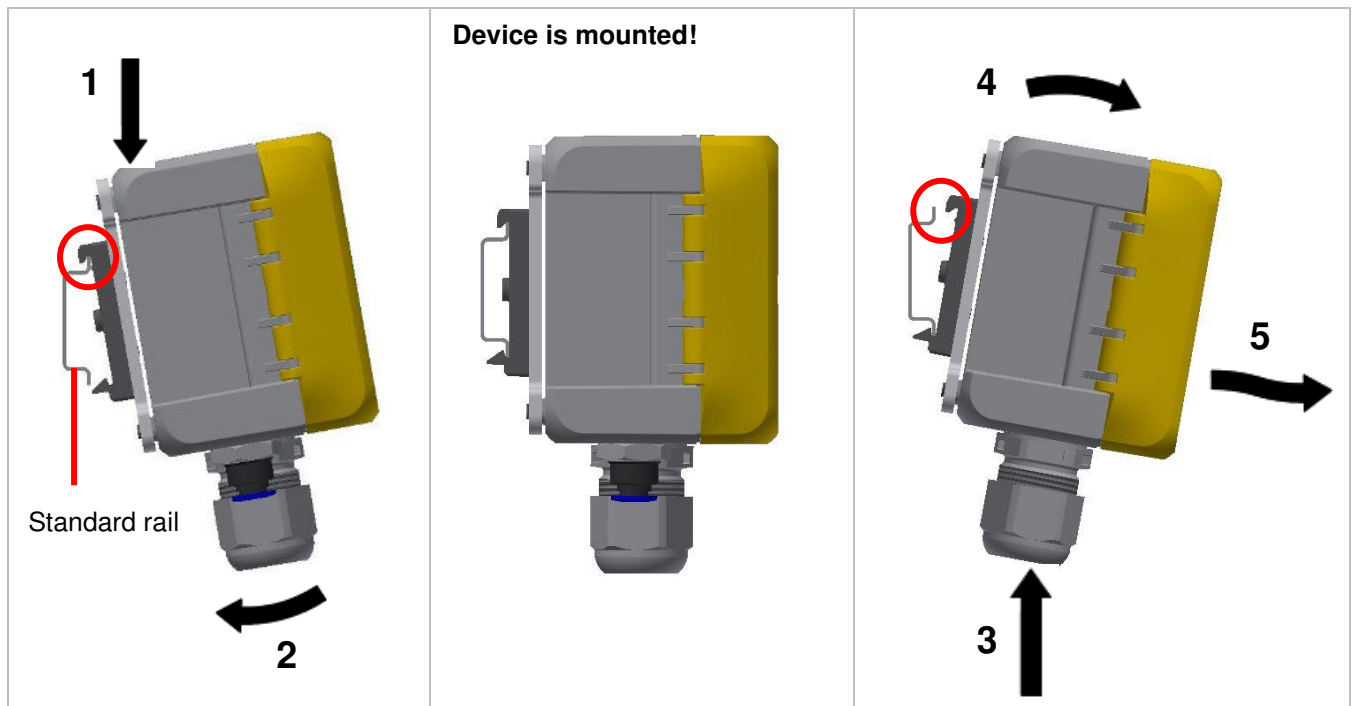


Figure 3 Mounting and dismounting step-by-step (from left to right)

Mounting:

- 1 Snap the top of the device onto the standard rail.
- 2 Swivel the bottom of the device towards the standard rail and snap it onto the rail.

Demontage:

- 3 Push the device upwards.
- 4 Swivel out the top of the device.
- 5 Remove the device from the standard rail.